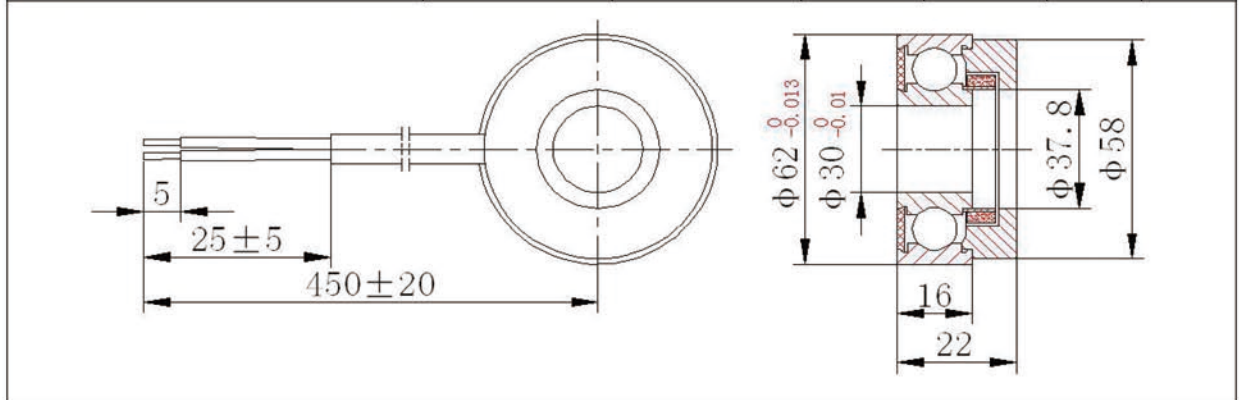


# 6206 SENSOR BEAR

MODEL	TERMS	Dynamic Load Rating (kN)	Static Load Rating (kN)	C3 Clearance (mm)		Lubri-fication	Sealing
				min	max		
6026/064S2/UA108A		19.5	11.3	0.013	0.028	Grease	RS1



Voltage (DC): 4.5 ~ 24V

Number of pulses: 64 pulses/rotation

Dual-channel: Channel A / Channel B

Output pulse phase shift:  $90^\circ \pm 30^\circ$

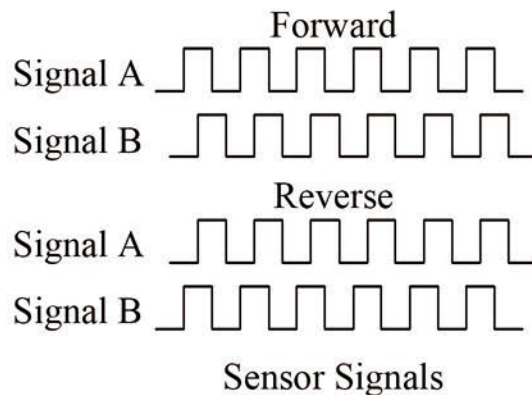
Pitch accuracy:  $\pm 5\%$

Duty ratio:  $50 \pm 15\%$

Delay:  $\leq 1.0e - 5s$

Max. speed: 7500 rpm

Working temperature:  $-40^\circ C$  to  $120^\circ C$



## Wiring

Red: Power Supply  
Blue: Signal B  
White: Signal A  
Black: Gound

