

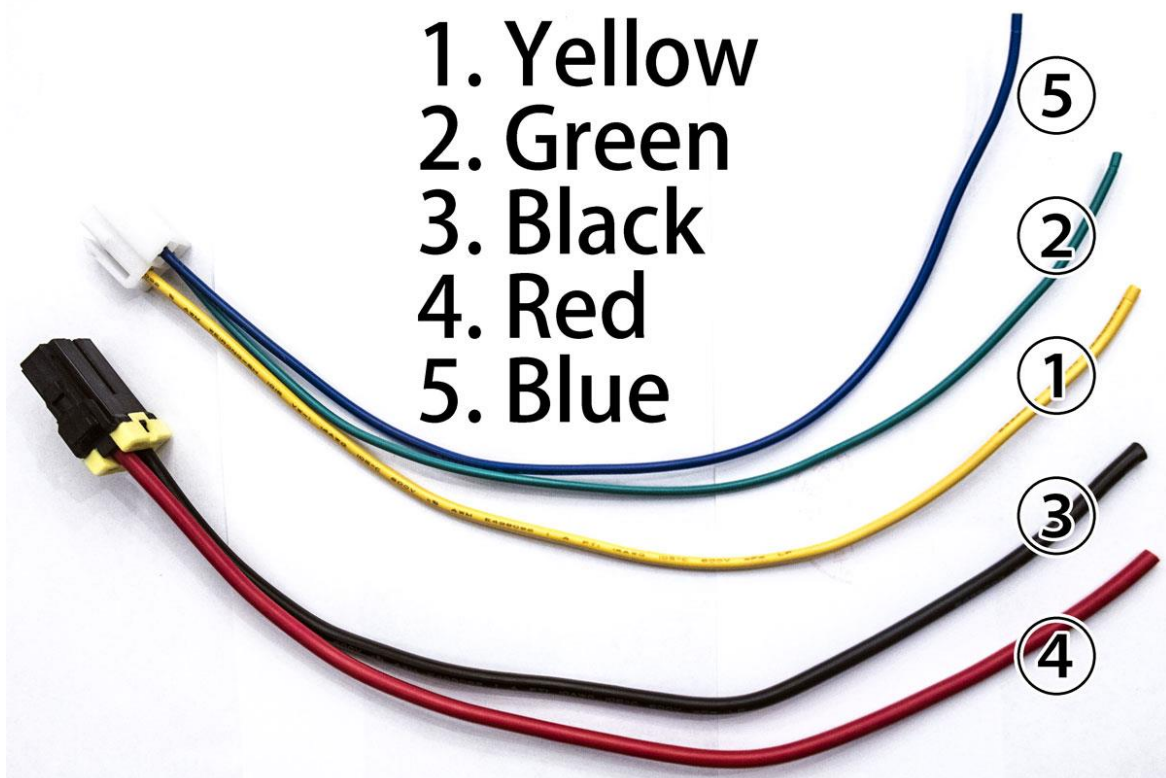
## DC-DC Converter



### Wiring:

1. Yellow Wire: Input Positive, B+
2. Green Wire: Enable Input / Key Switch Input
3. Black Wire: B- / Ground, Common End
4. Red Wire: Enabled Output 12V+
5. Blue Wire: Constant Output 12V+

### Mating Connectors:



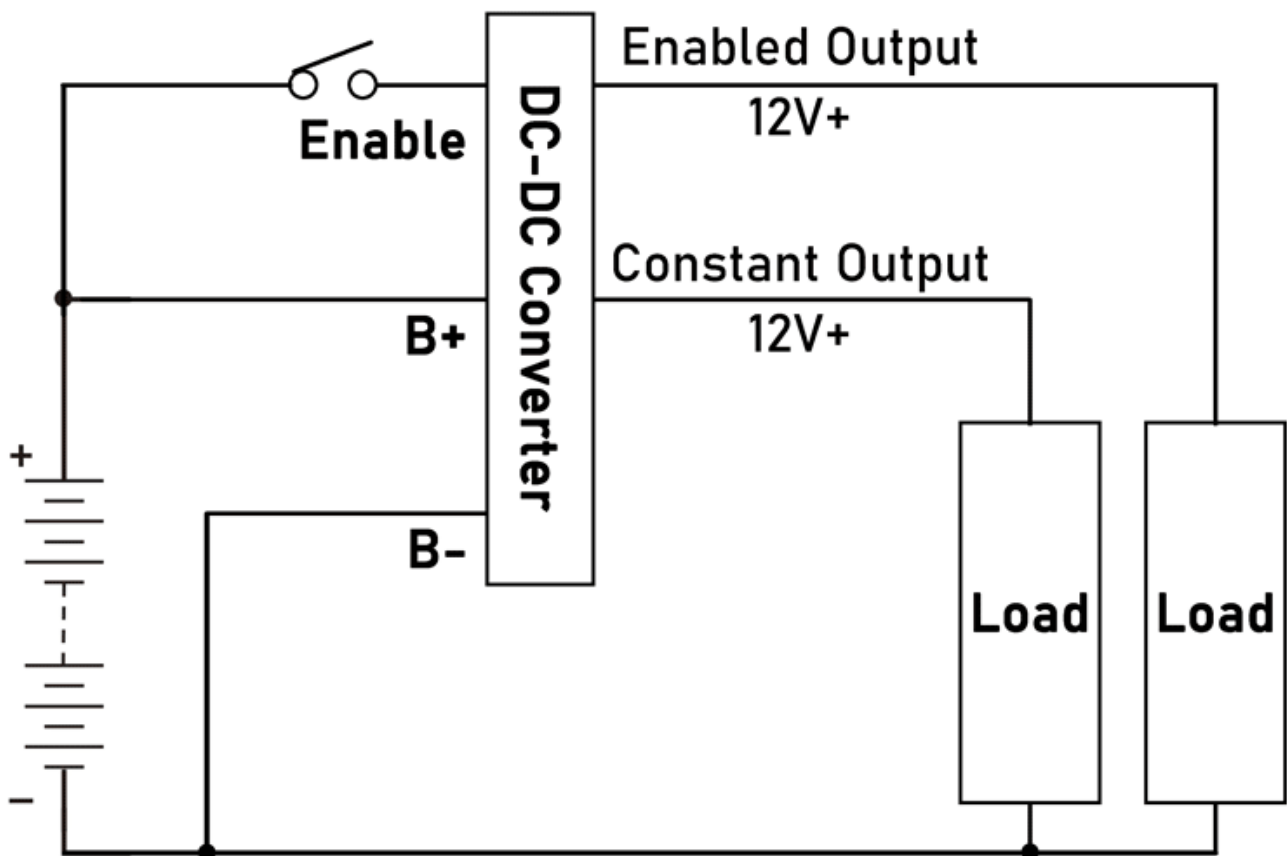
# Installation Instruction for 600 Watts @12V/50A DC-DC Converter

Version 1.0 - March 2026

## Features:

1. Wide range input: 36-90V DC
2. Output: 12V DC
3. Working current: max. 50 amperes
4. Power rate: max. 600 watts
5. Dual output: enabled output / constant output
6. Mating connectors are included

## Wiring Diagram:



## Product Image:

