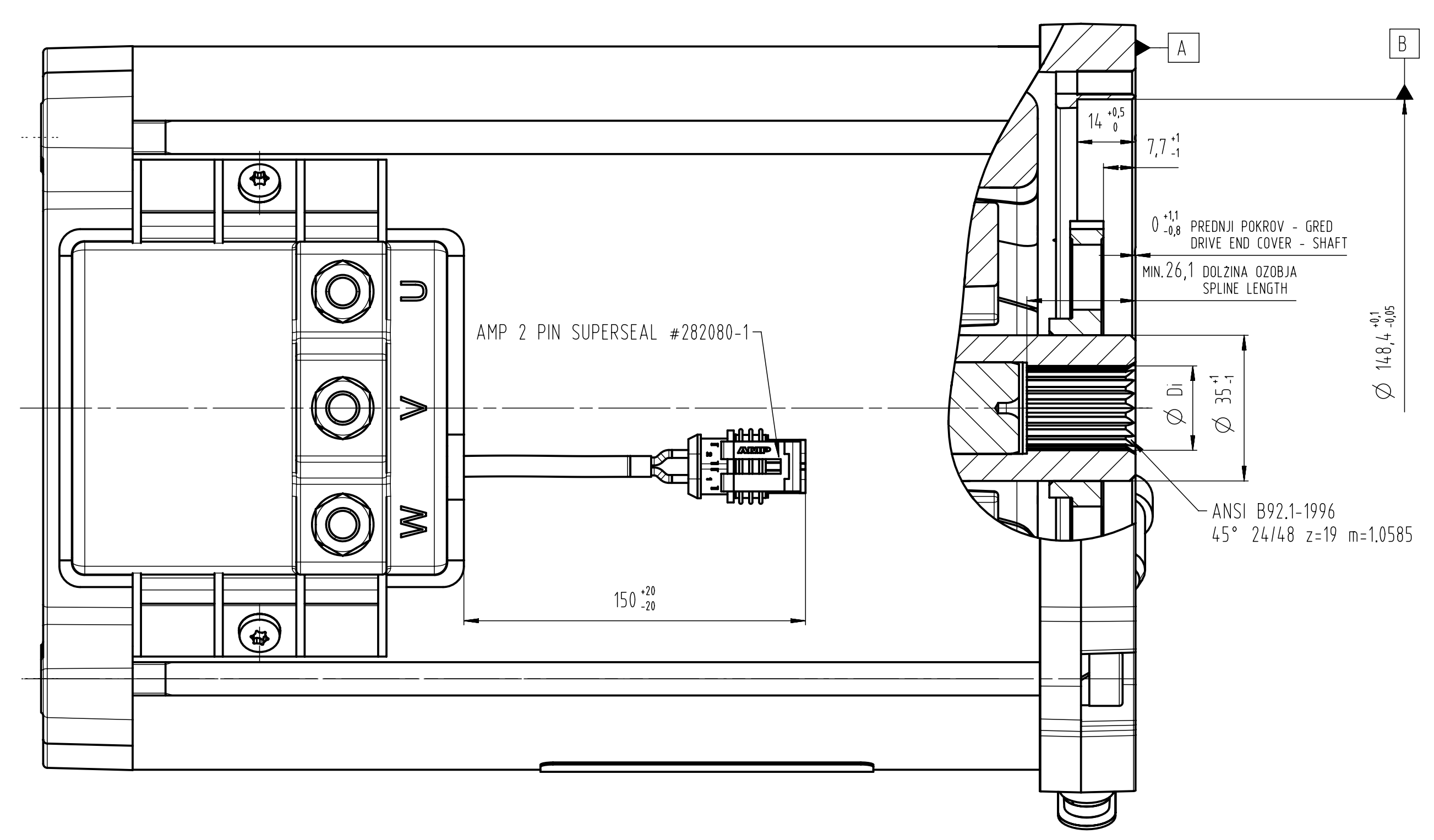
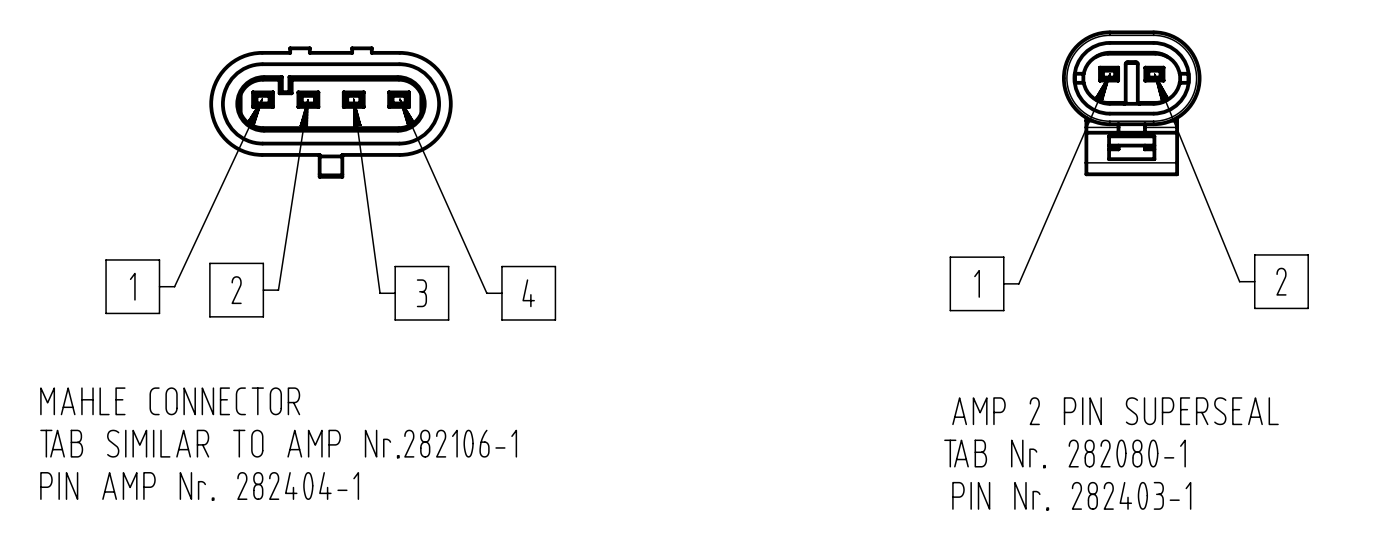


TABELA A TABLE A	ÖZÖBIE JE V TOLERANČNEM RAZREDU 5 PO ANSI B92.1-1970 FILLET ROOT, SIDE FIT, TOLERANCE CLASS 5 ANSI B92.1-1970	VARIABLE	MAX.	MIN.	REF.
STEVILLO ZOB N	TEETH NUMBER				19
UBIRNI KOT PP	SPLINE PITCH				24/4.8
UBIRNI KOT φ	PRESSURE ANGLE				45°
MODUL m	MODULE				1.058
OSNOVNI PREMER D <sub>b</sub>	BASE DIAMETER				14.216
DELILNI PREMER D	PITCH DIAMETER				20.107
TEMENSKI PREMER D <sub>a</sub>	MAJOR DIAMETER	21.82	21.59	-	
OBLIKOVNI PREMER D <sub>f</sub>	FORM DIAMETER	21.29	21.21	-	
VZNOZNI PREMER D <sub>i</sub>	MINOR DIAMETER	19.61	19.48	-	
DEJANSKA VRZEL MED ZOBMI s	ACTUAL CIRCULAR SPACE WIDTH	1.941	-	-	
EFEKTIVNA VRZEL MED ZOBMI s <sub>e</sub>	EFFECTIVE CIRCULAR SPACE WIDTH	-	1.875	-	
MAX. MERA MED VALJCKI M	MAX. MEASUREMENT BETWEEN PINS	-	-	17.054	
PREMER VALJCKA d	PIN DIAMETER	-	-	2.032	



CONNECTING INSTRUCTIONS FOR THERMOSENSOR PT1000  
NAVODILA ZA PRIKLJUČITEV TEMPERATURNEGA SENZORJA PT1000

- POLARITY OF CONNECTION 1 AND 2 ON AMP CONNECTOR IS NOT IMPORTANT
- POLARITEA PRIKLJUČKOV 1 IN 2 NA AMP KONEKTORJU NI POMEMBNA



CONNECTING INSTRUCTIONS FOR SPEED SENSOR  
NAVODILA ZA PRIKLJUČITEV SENZORJA HITROSTI

- SUPPLY 4.5 - 24V DC
- SIGNAL B
- SIGNAL A
- Ø V (GROUND)

OPOMBE:  
1. OZNAKE PRIKLJUČKOV PO PRIPOROČILU IEC PUBL. 34-8  
2. SENZOR HITROSTI: 64 IMPULZOV / VRTLJAJ Z A IN B KANALOM  
3. MOTOR USTREZA ÖA 11.920.415, KARAKTERISTIKA USTREZA TOČKI 30  
4. PRIKLJUČNI VIJAKI IN MATICE SO IZ MEDENINE

NOTES:  
1. TERMINAL MARKS ACCORDING TO IEC PUBL. 34-8  
2. SPEED SENSOR: 64 PULSES / REV WITH A AND B CHANNELS  
3. MOTOR CORRESPONDS TO ÖA 11.920.415, CHARACTERISTIC CORRESPONDS TO POINT 30  
4. TERMINAL CAPSCREW AND HEX NUT MATERIAL TO BE BRASS

OPOMBE:  
ODSTOPANJE NETOLERIRANIH DOLŽINSKIH MER: ± 0.5  
ODSTOPANJE NETOLERIRANIH KÖTNIH MER: ± 30°

NOTES:  
PERMISSIBLE DEVIATIONS OF UNTOLERATED DIMENSIONS: ± 0.5  
PERMISSIBLE DEVIATIONS OF UNTOLERATED ANGULAR DIMENSIONS: ± 30°

11.217.286	AMT 7181	45V	7,0 kW		72V	60	S3 (%)	NH 11.920.947	H	IP 54	CRNA / BLACK	30kg
MAHLE KODA MOTORJA	OZNAKA MOTORJA	NAPETOST MOTORJA	MOC MOTORJA	KODA KUPCA	NAPETOST NA VOZILU	VRTLJAJI	S2 (min)	ST. KARAKTERISTIKE	KLASA IZOLACIJE	ZASCI TA	ZUNANJI IZGLEA	MASA
MAHLE REFERENCE No.	MAHLE MOTOR MARK	MOTOR VOLTAGE	MOTOR POWER	CUSTOMER CODE No.	TRUCK VOLTAGE	ROTATIONAL SPEED	NACIN DELOVANJA	No. OF CHARACTERISTIC	INSULATION CLASS	PROTECTION GRADE	EXTERIOR	WEIGHT

MAHLE	11.217.286	PR 01
AMT 7181 45V 7.0kW	A-018264	11
11.217.286		11