

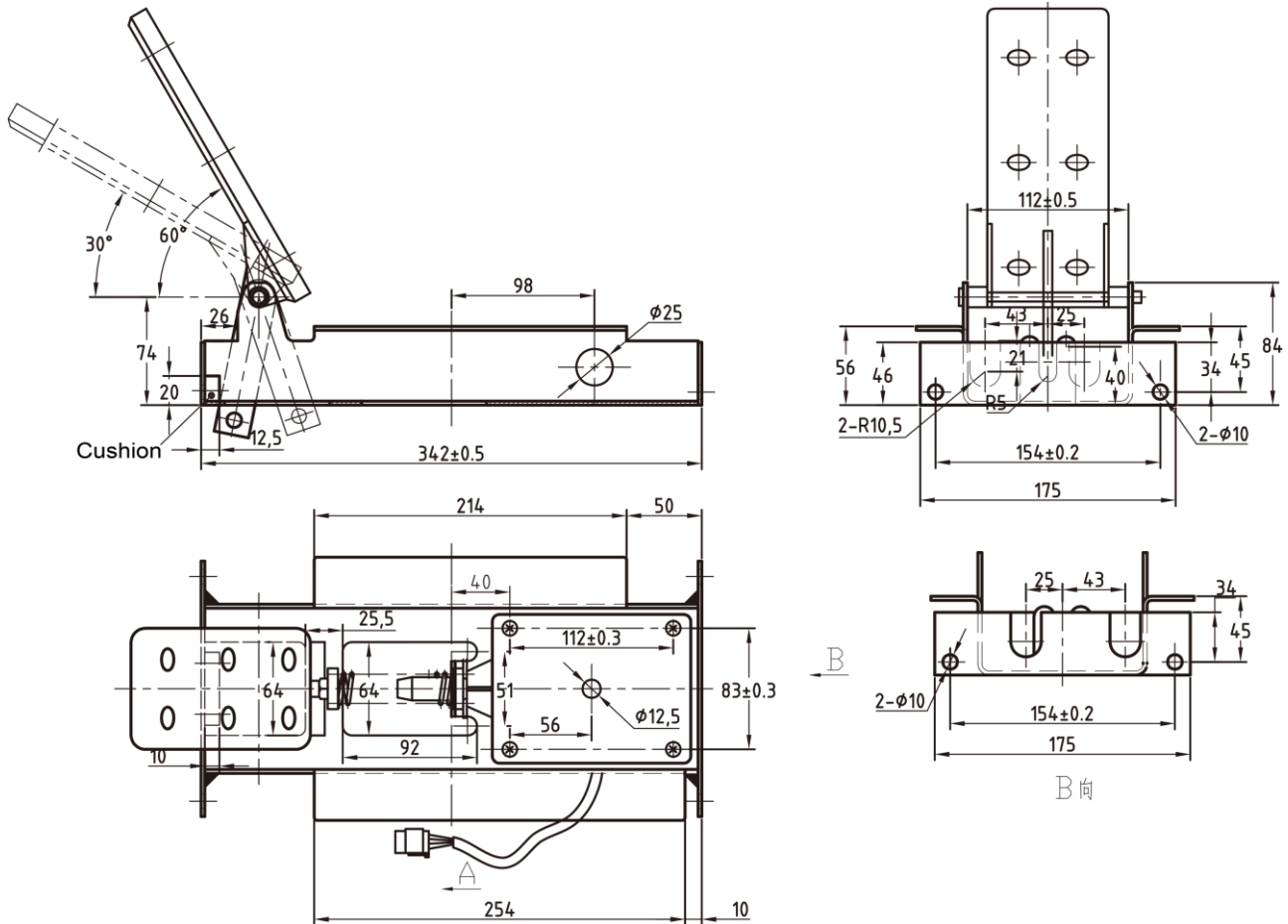
### ITS Throttle

Model: FT-02YG (Assemblage) / FT-08 (Sensor)

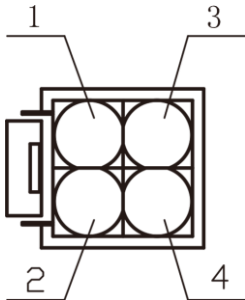
1. The ITS throttle assemblage FT-02YG integrates the technologies of non-contact inductive sensor, precision transmission, anti-shock and anti-corrosion, offering the advantages:

- a) Solid state non-contact technology: the service life of sensor is independent of the number of operating cycles
- b) High operating efficiency
- c) Fast response.
- d) Excellent resistance to rough working environments

2. Dimensions (unit: mm)



3. Connector

 <p>Model: DJ7042-2.2-21</p>	Wire Number	Function
	1	Power “+” (18-60V DC)
	2	Throttle Switch
	3	Throttle Signal Out (0-4.6V)
	4	Power “-” (Ground)